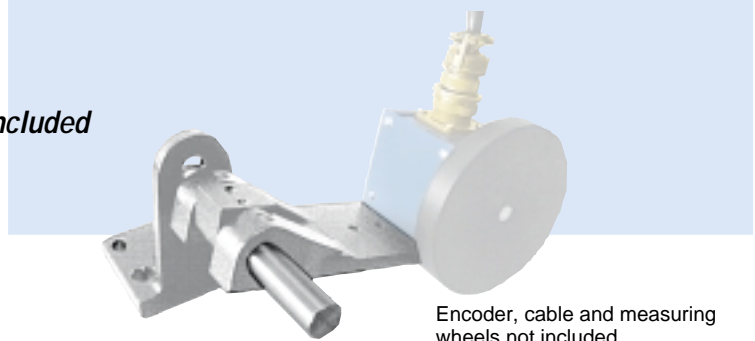


# Qube Pivot Mount

- Complete mounting system with hardware included
- Single or dual wheel uses same mount
- Easy machine attachment
- Accepts Series 21/22 Qube Encoders



Encoder, cable and measuring wheels not included

## APPLICATION/INDUSTRY

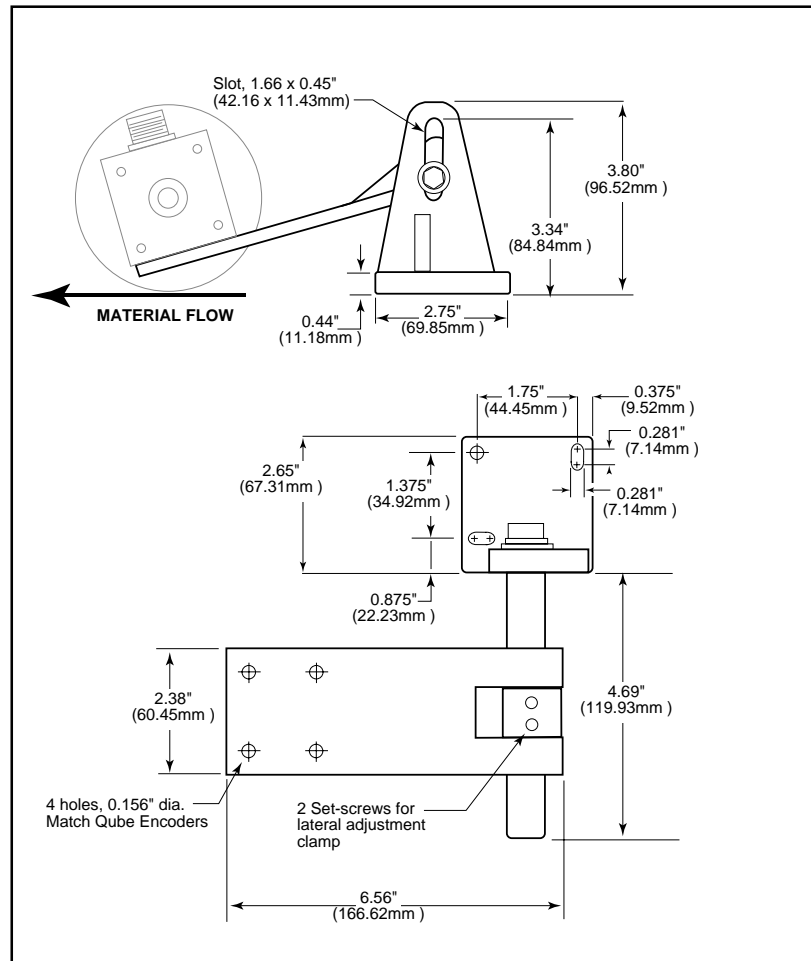
Provides adjustable mounting and self-tracking for compatible encoders.

## DESCRIPTION

Provides mounting and self-tracking for Series 21, 22, QUBE encoders. Double ended shaft encoders may be equipped with two measuring wheels.

## SPECIFICATIONS

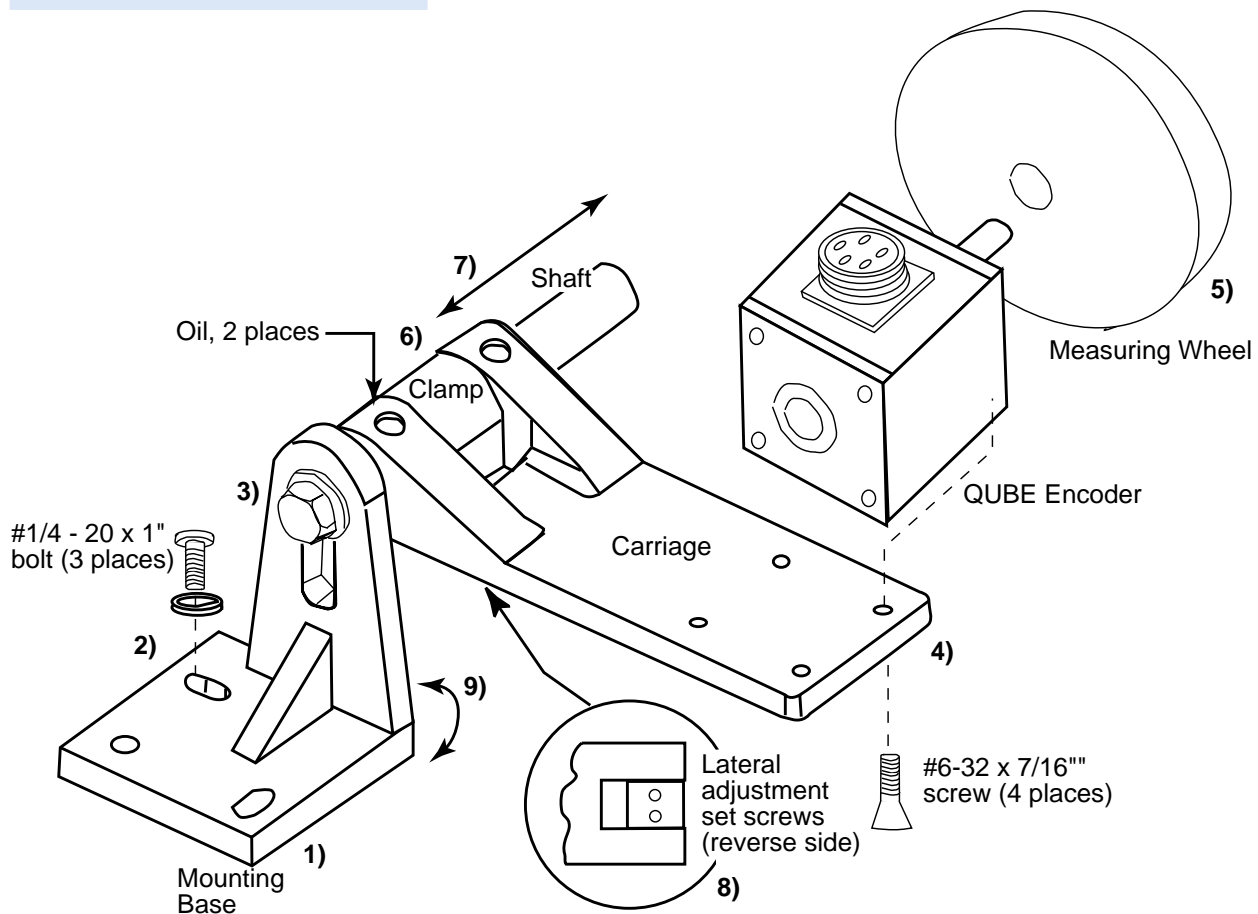
### DIMENSIONS



### Ordering Information

Model No.	Description
111328-0001	Qube Pivot Mounting Base

INSTALLATION



ACCESSORIES

**Procedure**

**Series 21/22 QUBE Encoders, single or dual measuring wheel**

- 1) Prepare mounting surface by drilling and optionally tapping (3) holes matching clearance holes in bracket's mounting base.
- 2) Attach base to mounting surface using (3) #1/4-20 x 1" bolts, flat washers and lock washers (provided). If holes were not tapped, longer bolts and nuts (not provided) may be required. Leave bolts "finger" tight.
- 3) Assemble shaft to mounting base using provided #3/8-16 x 3/4" bolt, flat washer and lock washer. Tighten securely.
- 4) Align (4) holes in base of encoder with counter-bored holes in bracket carriage. Secure with (4) #6-32 x 7/16" flat-head machine screws (provided).
- 5) Attach measuring wheel to encoder's shaft. Tighten securely. Avoid wheel rubbing against encoder body. Dual shaft encoders may be fitted with two measuring wheels.
- 6) Place clamp in cavity provided in carriage. Slide carriage/clamp assembly on to shaft.
- 7) Adjust lateral extension of carriage to position measuring wheel at desired location on material.
- 8) Tighten clamp set screws to secure.
- 9) Swivel mounting base to adjust position of the measuring wheel to be parallel with measured material's direction of motion. Tighten bolts to secure base to mounting surface.