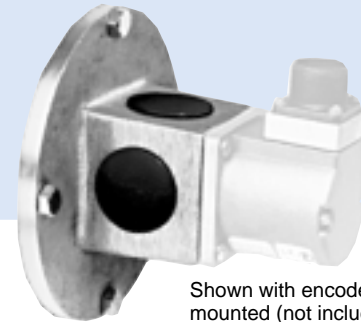


NEMA C Face Adapters

- "Flower pot" style adapter kit
- Provides spacer, coupling and all necessary hardware
- 5/8" I.D. coupling for 56C motor shafts with extensions from 1.1" to 1.8" long



Shown with encoder mounted (not included)

APPLICATION/INDUSTRY

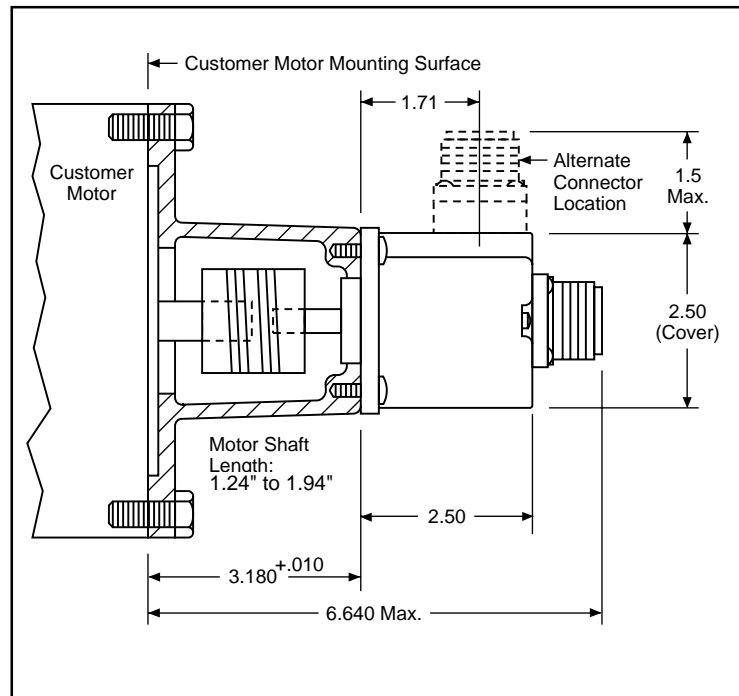
Mounts a Size 25 flange mount encoder to a 4-1/2" NEMA C motor or accessory flange

DESCRIPTION

Kits for 2.5" Encoders compatible with Series H42, H25 and HA725 encoders (flange mount, 3/8" shaft).

SPECIFICATIONS

DIMENSIONS



Compatible Encoders

The adapter may be used with the listed series encoders having the specified mounting configurations.

Encoder Series	Mounting Configuration
H42	2.5" Flange
H25	2.5" Flange
HA725	2.5" Flange

Ordering Information

Model No.	Description
FPA1	NEMA C Face Adapter, 5/8" Motor Shaft
FPA2	NEMA C Face Adapter, 7/8" Motor Shaft
FPA3	NEMA C Face Adapter, 1" Motor Shaft

INSTALLATION

- 1) Remove (4) black plugs from adaptor (if installed).
 - 2) Mount encoder to adaptor using (4) #10-32 x 1/2" screws and lock washers provided.
 - 3) Check motor shaft length and cut as required. Shaft should extend 1.240" to 1.940 from motor mounting surface.
 - 4) **A suitable flex coupling is provided.** Loosen setscrews or clamps at coupling ends. Slide coupling onto encoder shaft.
 - a) FPA1: Approximately 9/16" from end of shaft.
 - b) FPA2/FPA3: 3/8" from adapter mounting surface.
- Tighten coupling setscrew or clamp at encoder shaft.
- 5) Mount adapter/encoder assembly to motor using #3/8-16 x 1" bolts and lock washers provided. Tighten coupling setscrew or clamp at motor shaft.
 - 6) Reinstall (4) black plugs removed in step 1.

