



Series HD20

- *Single or Dual output*
- *ATEX Certification available for Intrinsically Safe application*
- *High Resolution Unbreakable Disk*
- *Industrial Duty Connector*
- *NEMA 4X / IP67 Rated*
- *Nickel or Stainless Steel Housing available*
- *Two Year Warranty*

Harsh-Duty Optical Encoder

DESCRIPTION

The HD20 Harsh-Duty Optical Encoder is a compact heavy-duty encoder designed to exceed IP66/IP67 and NEMA 6 enclosure requirements. It is also available in stainless steel that exceeds NEMA 4X and NEMA 6P requirements and is ideal for stringent wash down environments, including those where high pressure steam or caustic chemicals are needed to meet regulatory requirements.

The HD20 features 100 lb Axial and Radial Bearings, -40° to +100°C temperature range and unique labyrinth double-sealed housing, and optional dual “redundant” outputs and is covered by a two-year warranty (one year for bearings). NorthStar’s traditional quality, reliability and value are built-in to every HD20 encoder.

Also available in this series, is an Intrinsically Safe version certified to ATEX EEx ia IIB T4 when used with the appropriate IS Barrier. Accessory barriers can be supplied with the encoder.

APPLICATIONS:

The HD20 Harsh-Duty Optical Encoder is ideal for machine applications with corrosive environments that demand heavy washdown protection. This compact, special-duty encoder is designed to exceed IP66/IP67 and NEMA 6 enclosure requirements with a PPR range through 3600. ATEX certification is also available for intrinsically safe applications.

- *Converting Machinery*
- *Material Handling*
- *Packaging Equipment*
- *Pickling Equipment*
- *Processing Equipment*

INDUSTRIES

Chemical, Food & Beverage, Oil & Gas, Paper, Steel and any other where a precise encoder is needed to operate in harsh environments.

FEATURES/BENEFITS

Mechanical and Environmental

- *Unbreakable code disk*
- *Flexible mounting*
- *Heavy duty shaft seals*
- *Sealed connector*

Electrical

- *Cast housing maximizes noise immunity and durability*

Harsh-Duty Optical Encoder

Series HD20

Harsh-Duty Optical Encoder... Meets Stringent Washdown Requirements

SPECIFICATIONS*

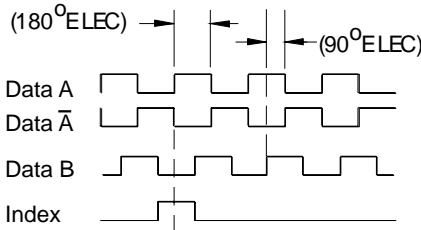
STANDARD OPERATING CHARACTERISTICS

Code: Incremental
 Resolution: 1 to 3600 PPR (pulses/revolution)
 Format: Two channel quadrature (AB) with optional Index (Z), and complementary outputs
 Phase Sense: A leads B for CCW shaft rotation viewing the shaft clamp end of the encoder
 Quadrature Phasing: 90° ± 15° electrical
 Symmetry: 180° ± 18° electrical
 Waveforms: Squarewave with rise and fall times less than 1 microsecond into a load capacitance of 1000 pf

ELECTRICAL

Input Power: 5-26VDC; 50 mA max., not including output loads. ATEX: 5VDC, 7-26VDC
 Outputs: 2N2222, ET7272, ET7273
 Frequency Response: 125 kHz (data & index)
 Termination: 6, 7, or 10 pin MS Connector; 18" cable exit w/seal
 Mating Connector:
 6 pin, style MS3106A-14S-6S (MCN-N4);
 7 pin, style MS3106A-16S-1S (MCN-N5);
 10 pin, style MS3106A-18-1S (MCN-N6)

DATA AND INDEX
 Not all complements shown.
 A shown for reference



A Leads B CCW

MECHANICAL

Shaft Material: 303 stainless steel (passivated)
 Shaft speed: 6000 RPM, maximum
 Shaft loading: Up to 100 lbs axial and radial
 Shaft runout: 0.0005 TIR at midpoint
 Starting torque: 2.5 in-oz. maximum (at 25°C)
 Bearings: 5200 ZZ double row
 Bearing life: 5 x 10⁹ revs at rated shaft Loading, 5 x 10¹¹ revs at 10% of rated shaft loading. (manufacturers' specs)
 Housing and cover: Hard Anodized Aluminum. Also available in Electroless Nickel finish and Stainless Steel.
 Disc material: Metal or mylar
 Weight: 14 ounces, typical

ENVIRONMENTAL

Operating Temperature: -40 to 100°C
 Operating Temperature ATEX: -40 to 80°C
 Storage temperature: -40 to 100°C
 Shock: 50G's for 11msec duration
 Vibration: 5 to 2000Hz @ 20 G's
 Humidity: 100%
 Enclosure Rating: NEMA 4 and 13

* Specifications are for base models with standard features only unless otherwise noted. Specifications subject to change without notice in accordance with our DBS policy of continuous improvement. All product and brand names are trademarks of their respective owners. All rights reserved.

NorthStar™ brand is a trademark of Danaher Industrial Controls Group. All rights reserved.
 © 2006 DICG Corp.

NorthStar Brand HD20 Data Sheet (5/06)

ELECTRICAL CONNECTIONS

6, 7 & 10 Pin MS Connectors and Cables

Connector & mate/accessory cable assembly pin numbers and wire color information is provided here for reference. HD20 models with direct cable exit carry the color coding as shown in the right hand column.

Encoder Function	Cable # 108594-6 Pin Single Ended		Cable # 108595-7 Pin Single Ended		Cable # 108596-7 Pin Dif Line Drv w/o Idx		Cable # 1400635-10 Pin Dif Line Drv w/ Idx		Cable Exit with Seal
	Pin	Wire Color	Pin	Wire Color	Pin	Wire Color	Pin	Wire Color	
Sig. A	E	BRN	A	BRN	A	BRN	A	BRN	GREEN
Sig. B	D	ORG	B	ORG	B	ORG	B	ORG	BLUE
Sig. Z	C	YEL	C	YEL	—	—	C	YEL	ORANGE
Power +V	B	RED	D	RED	D	RED	D	RED	RED
Com	A	BLK	F	BLK	F	BLK	F	BLK	BLACK
Case	—	—	G	GRN	G	GRN	G	GRN	WHITE
N/C	F	—	E	—	—	—	E	—	—
SigA	—	—	—	—	C	BRN/WHT	H	BRN/WHT	VIOLET
SigB	—	—	—	—	E	ORG/WHT	I	ORG/WHT	BROWN
SigZ	—	—	—	—	—	—	J	YEL/WHT	YELLOW

Headquarters: 1675 Delany Road • Gurnee, IL 60031-1282 • USA
 Phone: +1 847.662.2666 • Fax: +1 847.662.6633

Satellite Locations:

North America: North Carolina, South Carolina, Connecticut, Massachusetts, New York, Canada, British Virgin Islands • Europe: United Kingdom, Italy, France, Germany, Spain, Slovakia • Latin America: Brazil • Asia: China, Japan, Korea, Singapore

Customer Service:

Tel.: +1.800.873.8731
 Fax: +1.847.662.4150
 northstar.custserv@dancon.com

Technical Support

Tel.: +1.800.234.8731
 Fax: +1.847.782.5277
 northstar.techsupport@dancon.com

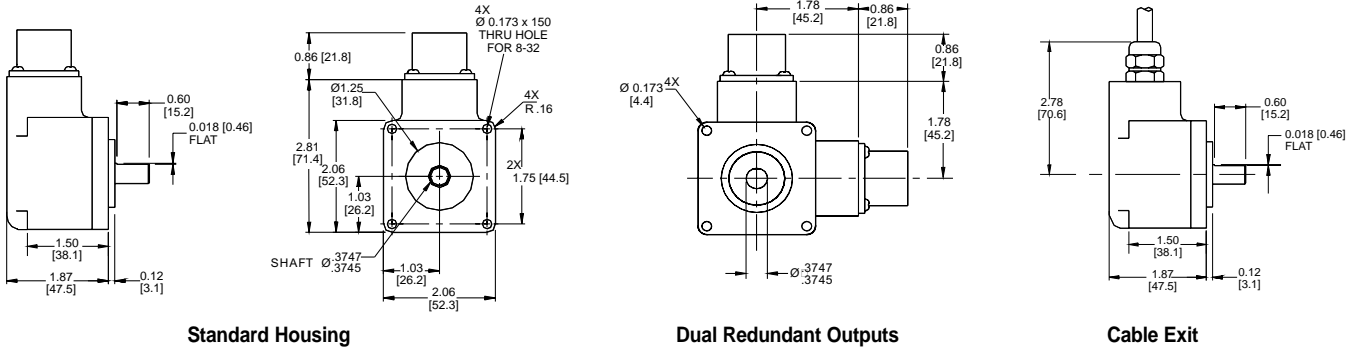


www.feedbackdevices.com • www.danaherindustrialcontrols.com

Factory Automation Worldwide Brands: Dynapar™ • Eagle Signal™ • Harowe™ • Hengstler™ • NorthStar™ • Veeder-Root™

Harsh-Duty Optical Encoder... Meets Stringent Washdown Requirements

DIMENSIONS inches [mm]



ORDERING INFORMATION

Code 1: Model	Code 2: PPR	Code 3: Shaft	Code 4: Electrical	Code 5: Termination	Code 6: Options
HD20 □	□□□□	□	□	□	□
Ordering Information					
Size 20 Harsh-Duty Optical Encoder	0001 0500 0024 0512 0025 0600 0035 0625 0040 0720 0060 1000 0100 1024 0120 1200 0192 1250 0200 1440 0240 2000 0250 2048 0256 2500 0300 2540 0360 3600	0 3/8" Dia. Shaft with flat 4 10mm Dia. Shaft, with flat	0 5-26V in, 5-26V Open Collector out (7273) 2 5-26V in, 5-26V Push-Pull out F 5-26V in, 5-26V Open Collector out (2222) G 5-26V in, 5-26V Open Collector out with 2.2 kΩ Pullups (2222) available when: Code 1 is 1,2,4,5,7,8,A or B and Code 5 is 3 through D, or Code 1 is 3,6,9 or C and Code 5 is 5 or D: 3 5-26V in, 5-26V Differential Line Driver out (7272) 4 5-26V in, 5V Differential Line Driver out (7272)	1 6 Pin Connector 3 7 Pin Connector 5 10 Pin Connector D 18" Sealed Cable	0 No Options 1 Nickel Finish Housing 2 Stainless Steel Housing 3 Redundant Outputs (Dual Connector Housing) 4 Nickel Finish Housing with Redundant Outputs 5 Stainless Steel Housing with Redundant Outputs
With ATEX Type 1* Option					
4 Unidirectional 5 Bidirectional 6 Bidirectional with Index					
available when: Code 4 is 0 - 3, F or G					
With ATEX Type 2* Option					
7 Unidirectional 8 Bidirectional 9 Bidirectional with Index					
available when: Code 4 is 4					
With ATEX Type 3* Option					
A Unidirectional B Bidirectional C Bidirectional with Index					

*Note: Available ATEX Certified Options

ATEX Type 1: ATEX Certified; 5V in, 5V out only

ATEX Type 2: ATEX Certified; 7-26V in, 7-26V out

ATEX Type 3: ATEX Certified; 7-26V in, 5V out

NOTE: When selecting ATEX models, ATEX voltages
replace those shown in Code 4.

Worldwide Brands:

Dynapar™

Eagle Signal™

Harowe™

Hengstler™

NorthStar™

Veeder-Root™



**A division of
Danaher, a
Fortune 500
company with
offices in 30
countries around
the world.**

More Available. With factories around the world, global sales and applications support, and an expansive network of distributors, we stay close to our customers - shortening lead times and fostering responsiveness. Three-day lead time is standard, with same-day shipments available on many of our products.

More Selection. We have a broad selection of controllers to meet application requirements in a variety of industries. User-configurable, accurate and flexible, with low, mid, or high level performance ranges, our controller products meet your system and budgetary requirements.

More Reliable. Our experience with more than 25,000 customers has taught us to design controllers that are reliable and durable, with quality standards that meet six sigma requirements.

For additional information or a full-line catalog, contact DICG Customer Service or visit our web site.

* Specifications are for base models with standard features only unless otherwise noted. Specifications subject to change without notice in accordance with our DBS policy of continuous improvement. All product and brand names are trademarks of their respective owners. All rights reserved.

NorthStar™ brand is a trademark of Danaher Industrial Controls Group. All rights reserved.

© 2006 DICG Corp.

Headquarters: 1675 Delany Road • Gurnee, IL 60031-1282 • USA
Phone: +1 847.662.2666 • Fax: +1 847.662.6633

NorthStar brand HD20 Data Sheet (5/06)

Satellite Locations:
North America: North Carolina, South Carolina, Connecticut, Massachusetts, New York, Canada, British Virgin Islands • Europe: United Kingdom, Italy, France, Germany, Spain, Slovakia • Latin America: Brazil • Asia: China, Japan, Korea, Singapore

Customer Service:
Tel.: +1.800.873.8731
Fax: +1.847.662.4150
northstar.custserv@dancon.com

Technical Support
Tel.: +1.800.234.8731
Fax: +1.847.782.5277
northstar.techsupport@dancon.com



www.feedbackdevices.com • www.danaherindustrialcontrols.com

Factory Automation Worldwide Brands: *Dynapar™* • *Eagle Signal™* • *Harowe™* • *Hengstler™* • *NorthStar™* • *Veeder-Root™*